



# LP 4848 LOW PROFILE STATIONARY COMPACTORS

(LoPro)



**SUPER SERVICE™ SINCE 1978.**

Photos are for illustration purposes only. Items may vary slightly from images shown here.



## LP 4848 Low Profile Stationary Compactors (LoPro)

Designed for space restrictive applications such as underground parking areas, Metro Compactor's LoPro LP4848 container can fit in compact areas with limited overhead spaces. These high volume, stationary compaction units reduce servicing and operational costs while enhancing worker safety.

Eliminating the need for costs associated with staging the equipment for service or requiring pull-out fees for garbage collection, the LP4848 is the ideal solution for high rise apartment and condominium complexes.

A critical safety feature of this equipment is the **FEED DOOR INTERLOCK** – the equipment will not operate if the feed door is not shut. The interlock will immediately engage to run the machine once the compactor door closes.

**The AUTO-START FEATURE enables the compactor to run as soon as the doors close – no buttons to push!**

## FEATURES & SPECIFICATIONS:

- Compacts refuse to a fraction of its original size
- Excellent for space restricted areas
  - Designed for underground installations
- Rubber seal interface between compactor & container as well as the container door to minimize spills
- Ram guides equipped with Teflon wear pads to reduce wear & quieter operation
- Twin, cross-cylinder design reduces compactor length
- Feed door equipped with user-friendly Paddle Latch for 1-hand operation
- Feed door equipped with Safety Interlock Switch
  - shuts the unit down when the door is open
- Standard Ratchet Hook-up to container
- Programmable PLC Controller Board
- Fullness indicators –  $\frac{3}{4}$  Full and FULL lights
  - Wayne to confirm with Jordan
- Overall Length - 16ft 6in (5.06m) in the garbage room – 2ft (.6m) offset install at the rollup door
- Overall Width – Compactor: 52in (132cm), Container: 86in (218cm)
- Overall Height – Feed Height: 42in (106.6cm), Doghouse Door: 76in (193cm)

## TRUCK SPECIFICATIONS

- Requires minimum entry height – seven (7ft) feet (2.13m)
- Maximum extended container height – nine (9ft) feet (2.74m)
- Minimum truck service length from compactor – twenty-three (23ft) feet (7m)

## ROOM SPECIFICATIONS

- Roll up door – eight (8ft) feet (2.44m) minimum (ID) high between door edges. Width ten (10ft) feet (3.05m)
- Room depth twenty (20ft) feet (6.1m), width twelve (12ft) feet (3.66m), height eight (8ft) feet (2.44m) not including front load containers (double door) on totes

## CONTENTS

- Solid waste less than 30% moisture or bagged materials
- Maximum weight 1.5 tonnes

## ARE YOU A DEVELOPER OR AN ARCHITECTURE FIRM?

Our in-house design team can assist with creating accurate site layouts, determining clearances and ensuring all steel work is built to suit specific operations. Contact us TODAY!

In the early stages of architectural design, we can partner with your firm to develop accurate site layouts that incorporate the clearances required for proper installation of the underground, LoPro Compactors.

Contact us to learn more!

### EQUIPMENT SPECIFICATIONS

Manufacturer's Rating	0.75
Clear Top Opening	46' x 24'
Ram Penetration	5"

#### PERFORMANCE CHARACTERISTICS

Cycle Time	36 Seconds
------------	------------

#### System Pressure

- Normal	1300 PSI
- Max	1500 PSI

#### Ram Force Rating

- Normal	14000 PSI
- Max	16000 PSI

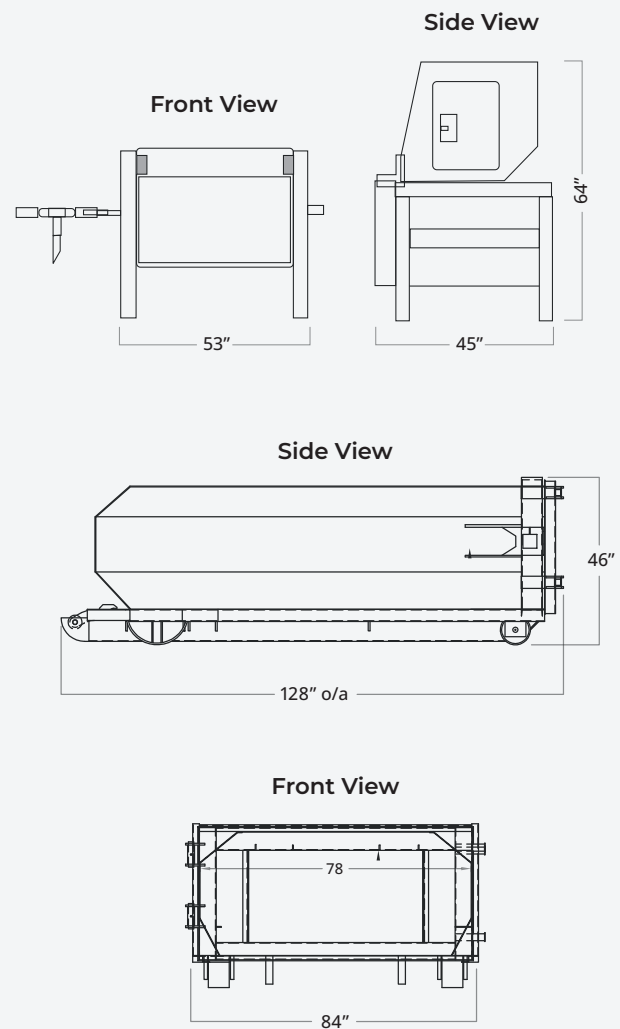
#### HYDRAULICS / ELECTRICAL

Reservoir Capacity	10 gal
Ram Stroke	28"
Cylinder Rod/Bore	1.5"/ 3"
Motor Voltage Size	5HP - 208/575

#### Structure

Floor	3/8"
Ram Face	3/8"
Side Walls	1/4"

### CONTAINER DIMENSIONS



### EXTENDED WARRANTY PROGRAM

All Metro Compactor Service Inc. equipment, new or pre-owned, are backed by our standard one (1) year warranty for parts and labour. However, we understand that the waste industry is anything but standard. To avoid unforeseen financial surprises and to ensure peace of mind, we offer a comprehensive, extended five (5) year warranty on new and certified pre-owned equipment. Contact us to learn more.

# SUPER SERVICE™ SINCE 1978.



Our **Super Service™** approach starts with **your unique needs** and continues on to **ensure sustainable** and **efficient performance** of your entire waste system.

◀ **Scan to learn more**



[WWW.METROCOMPACTOR.COM](http://WWW.METROCOMPACTOR.COM)



PH: 416-247-2472